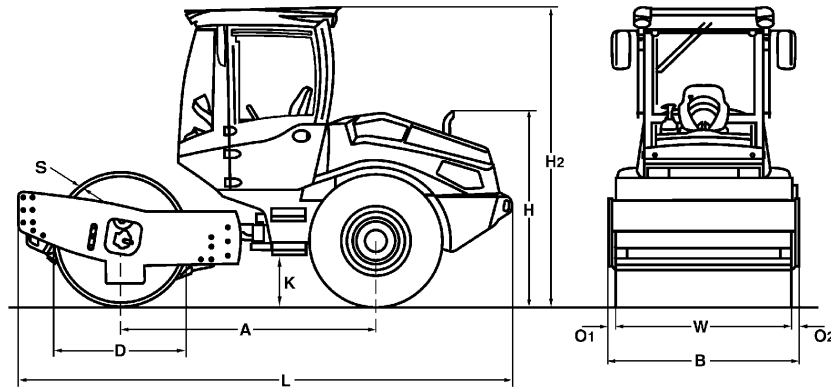


TECHNICAL DATA

SINGLE DRUM ROLLERS

BW 145 D-5, BW 145 DH-5, BW 145 PDH-5





Dimensions in mm

	A	B	D	H	H2	K	L	O1	O1	S	W
BW 145 D-5	2250	1560	1058	1570	2720	320	4365	65	65	20	1426
BW 145 DH-5	2250	1560	1058	1570	2720	320	4365	65	65	20	1426
BW 145 PDH-5	2250	1560	1044	1570	2720	320	4365	65	65	15	1426

Shipping dimensions in m3

BW 145 D-5
BW 145 DH-5
BW 145 PDH-5

without ROPS

10,691
10,691
10,691

with ROPS

18,522
18,522
18,522

Machine type	Compaction output (m3/h)			
	Rock fill	Gravel, sand	Mixed soil	Silt, clay
BW 145 D-5	-	160-320	120-240	60-120
BW 145 DH-5	-	160-320	120-240	60-120
BW 145 PDH-5	-	160-320	120-240	80-160

Machine type	Compacted layer thickness (m)			
	Rock fill	Gravel, sand	Mixed soil	Silt, clay
BW 145 D-5	-	0,40	0,30	0,15
BW 145 DH-5	-	0,40	0,30	0,15
BW 145 PDH-5	-	0,40	0,30	0,20

Technical Data**BOMAG
BW 145 D-5****BOMAG
BW 145 DH-5****BOMAG
BW 145 PDH-5****Weights**

Grossweight	kg	5.600	6.000	5.600
Operating weight CECE w. ROPS-cabin	kg	4.750	4.820	5.070
Axle load, drum CECE	kg	2.490	2.520	2.770
Axle load, wheels CECE	kg	2.260	2.300	2.300
Static linear load CECE	kg/cm	17,5	17,7	

Dimensions

Working width	mm	1.426	1.426	1.426
Track radius, inner	mm	2.890	2.890	2.890

Driving Characteristics

Speed (1)	km/h	0- 4,0	0- 10,0	0- 10,0
Speed (2)	km/h	0- 4,5		
Speed (3)	km/h	0- 6,5		
Speed (4)	km/h	0- 9,0		
Max. gradeability without/with vibr.	%	51/48	64/59	64/59

Drive

Engine manufacturer		Kubota	Kubota	Kubota
Type		V3307 CR-T	V3307 CR-T	V3307 CR-T
Emission stage		Stage IV / TIER4f	Stage IV / TIER4f	Stage IV / TIER4f
Exhaust gas aftertreatment		DOC+DPF	DOC+DPF	DOC+DPF
Cooling		water	water	water
Number of cylinders		4	4	4
Performance ISO 3046	kW	55,4	55,4	55,4
Performance SAE J 1995	hp	75,0	75,0	75,0
Speed	min-1	2.400	2.400	2.400
Fuel		diesel	diesel	diesel
Electric equipment	V	12	12	12
Drive system		hydrost.	hydrost.	hydrost.
Drum driven		standard	standard	standard

Drums and Tyres

Tyre size		12.5-20 12PR	12.5-20 12PR	12.4-24/8PR
-----------------	--	--------------	--------------	-------------

Brakes

Service brake		hydrost.	hydrost.	hydrost.
Parking brake		hydromec.	hydromec.	hydromec.

Steering

Steering system		oscil.artic.	oscil.artic.	oscil.artic.
Steering method		hydrost.	hydrost.	hydrost.
Steering / oscillating angle +/-	grad	35/12	35/12	35/12

Exciter system

Drive system		hydrost.	hydrost.	hydrost.
Frequency	Hz	31/35	31/35	31/35
Amplitude	mm	1,70/0,80	1,70/0,80	1,45/0,70
Centrifugal force	kN	80/56	80/56	80/56
Centrifugal force	t	8,2/5,7	8,2/5,7	8,2/5,7

Capacities

Fuel	l	110,0	110,0	110,0
------------	---	-------	-------	-------

Technical modifications reserved. Machines may be shown with options.

Standard Equipment

- BOMAG ECOMODE
- Double pump system for travel drive (DH/PDH)
- No-Spin differential lock
- Rear axle with twin spring accumulator brakes
- Hydrostatic travel and vibration drive
- Hydrostatic articulated steering
- Articulated joint lock
- Warning, information and operation displays
- Single lever control for travel and vibration
- Emergency STOP
- Warning horn
- Back-up warning system
- Noise insulation
- 1 Scrapers (D/DH)
- 2 Scrapers (PDH)
- Tractor tires (PDH)

Optional Equipment

- * ROPS cabin with seat belts
- ROPS/FOPS with safety belt
- * Working lights front/rear
- Indicator and hazard lights
- Rotary beacon
- Rearview camera
- Air condition
- Adjustable steering column
- Sliding window
- Radio (Bluetooth)
- BOMAG ECOSTOP
- ECONOMIZER
- TERRAMETER
- Printer for TERRAMETER
- BOMAG TELEMATIC
- BCM 05 Documentation system
- Special painting
- Reversing alarm buzzer with broad band audio
- Padfoot segment kit (D/DH)
- 2 Contact scrapers (D/DH)
- Dozer blade (DH/PDH)
- Environmentally compliant hydraulic oil
- Tractor tires (D/DH)
- LED Working lights (Cabin)

* Standard delivery with CE conformity
(valid within European Union)

