

FUSE AND RELAY

General Information

Each system should be equipped with fuses and relays to ensure normal operation of vehicle electrical system.

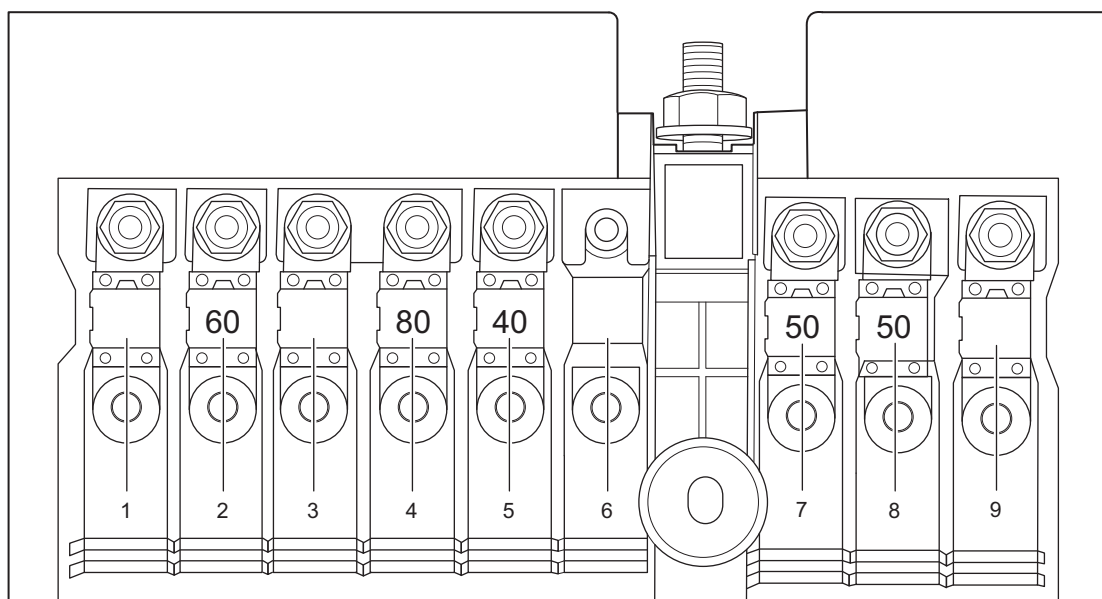
The fuses and relays are integrated into fuse and relay boxes which are installed in the following positions of vehicle:

- Power fuse box: located at side of engine compartment fuse and relay box.
- Engine compartment fuse and relay box: located on the left side of engine compartment and the rear side of left headlight.
- Instrument panel fuse and relay box A: located on the lower left side of instrument panel.

Fuse and Relay Box	See Page
Power Fuse Box	06-2
Engine Compartment Fuse and Relay Box	06-3
Instrument Panel Fuse and Relay Box	06-13

Power Fuse Box

Fuse Layout in Power Fuse Box



06

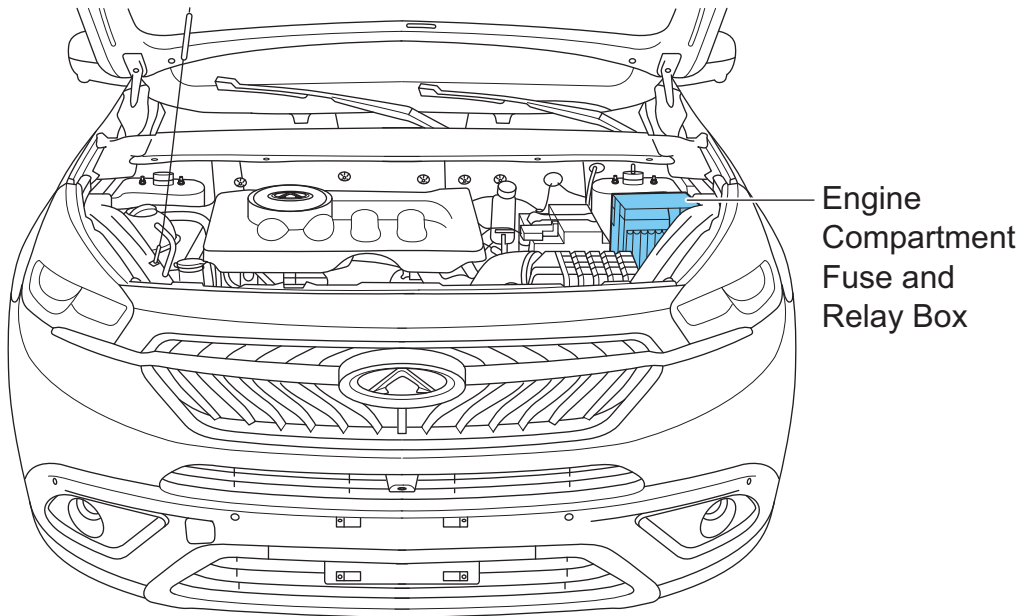
ET15060011

Power Fuse Description

No.	Fuse	Description	No.	Fuse	Description
1	-	-	6	-	-
2	EF47	IP Fuse and Relay Box	7	EF49	Alternator
3	-	-	8	EF53	High-speed Cooling Fan
4	EF48	EPS	9	-	-
5	EF52	Low-speed Cooling Fan			

Engine Compartment Fuse and Relay Box

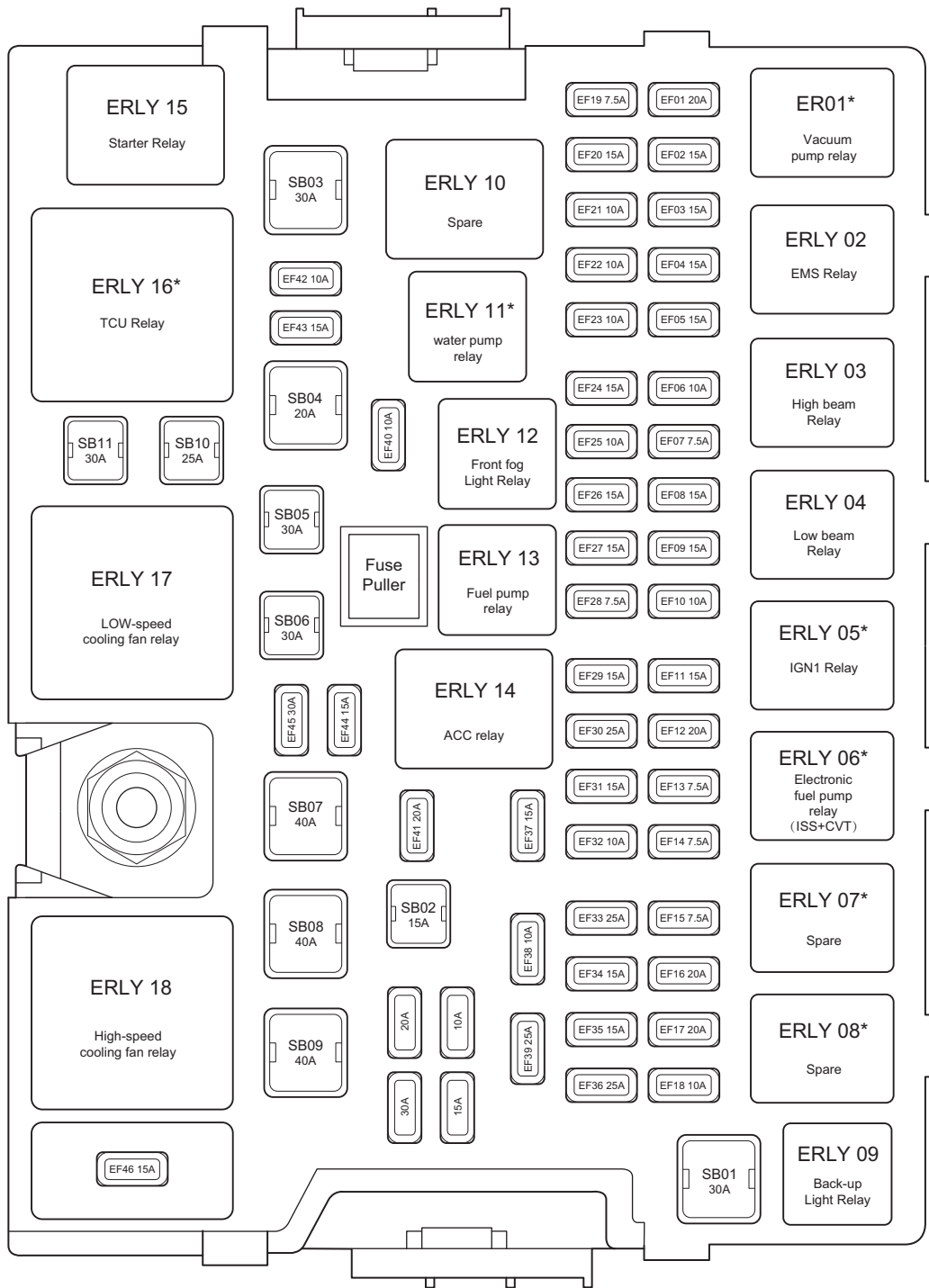
Location of Engine Compartment Fuse and Relay Box



ET15060021

06

Fuse and Relay Layout in Engine Compartment Fuse and Relay Box



06

ET15060031

Engine Compartment Fuse Description

No.	Description	No.	Description
SB01	Reserve	EF19	Alternator excitation
SB02	ACC	EF20	Injector
SB03	Starter/drive chain	EF21	Reserve
SB04	TCU/DCT	EF22	Water pump*
SB05	BCM 2	EF23	POD & PPD & EAC*
SB06	BCM 1	EF24	Horn
SB07	ESP/ABS	EF25	Left headlight high beam*
SB08	EPB*	EF26	Right headlight low beam
SB09	ACM/EPB*	EF27	Front fog light
SB10	ESP/ABS	EF28	ESP & ABS & ACM*
SB11	Seat adjustment SEAT*	EF29	Fuel pump
EF01	Vacuum pump*	EF30	BCM 6
EF02	Oxygen sensor	EF31	IGN 1*
EF03	Ignition coil 3#	EF32	Brake switch & PEPS & DCT 30+
EF04	ECU solenoid valve	EF33	ACM*
EF05	PPD & HVH	EF34	BCM 5
EF06	Reserve	EF35	BCM 3
EF07	Right headlight high beam	EF36	Reserve*
EF08	Left headlight low beam	EF37	Spare power 2
EF09	Reserve*	EF38	ECU & TCU 30+
EF10	ECU & fan controller with hybrid system	EF39	Wiper
EF11	PEPS*	EF40	4WD & IPU
EF12	LT & PTC water pump*	EF41	Seat heating*
EF13	ECU & TCU brake switch 15+ & reversing sensor&IPU with hybridsystem	EF42	Air conditioning compressor
EF14	Inner mirror & A/C pressure switch& reversing radar	EF43	Reserve*
EF15	PEPS & 4WD*	EF44	BCM 4
EF16	Electronic oil pump*	EF45	Sunroof*
EF17	Reserve*	EF46	Marine insurance
EF18	Back-up light	EF51	-

EF10: ECU & fan controller with hybrid system & start and stop relay (ERL Y15)
coil with start and stop system

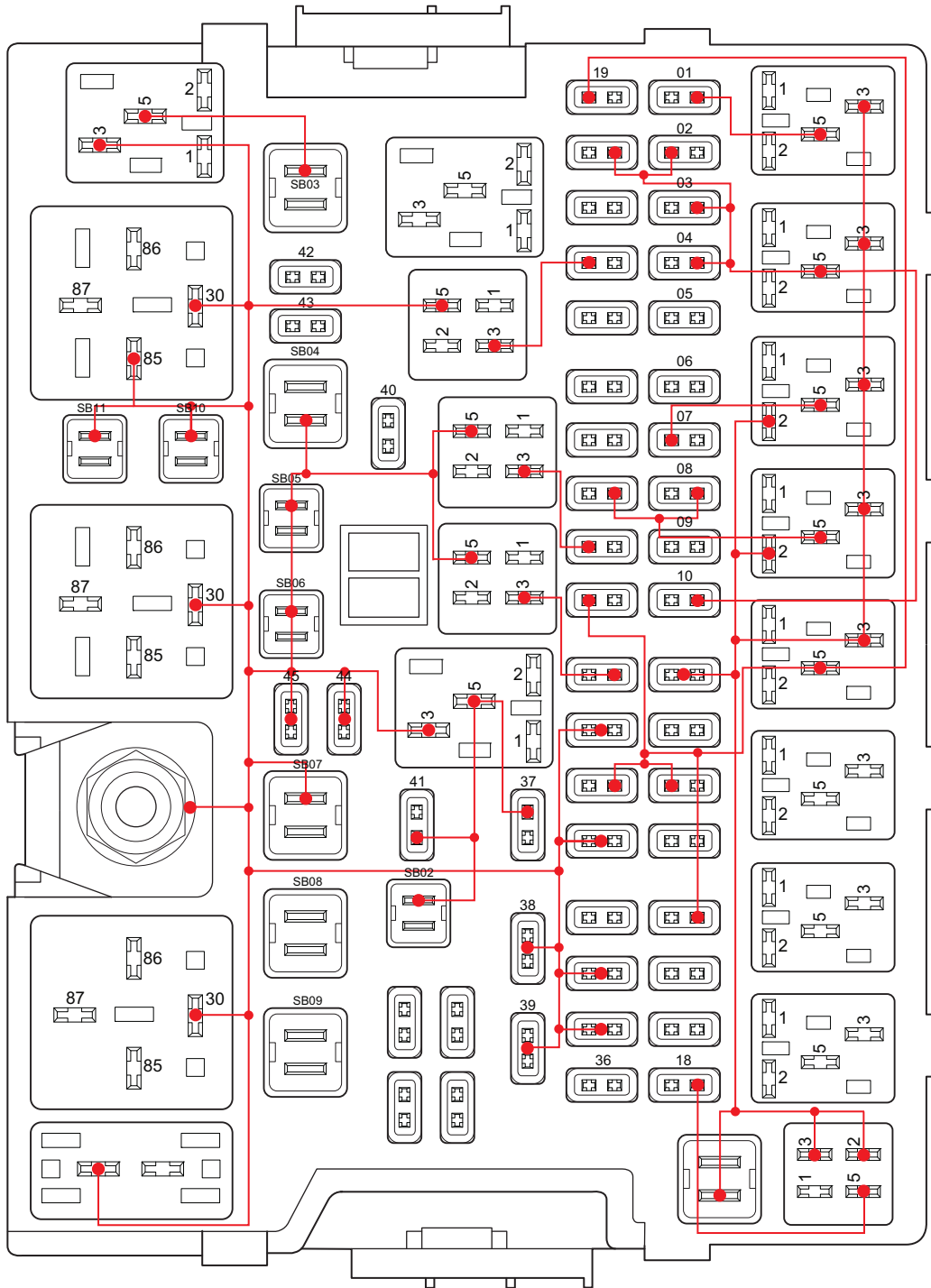
EF13: ECU & TCU brake switch 15+ & reversing sensor & IPU with hybrid system

EF14: Inner mirror & A/C pressure switch & reversing radar

EF32: Brake switch & PEPS & DCT 30+

View of Engine Compartment Fuse and Relay Box

Front View

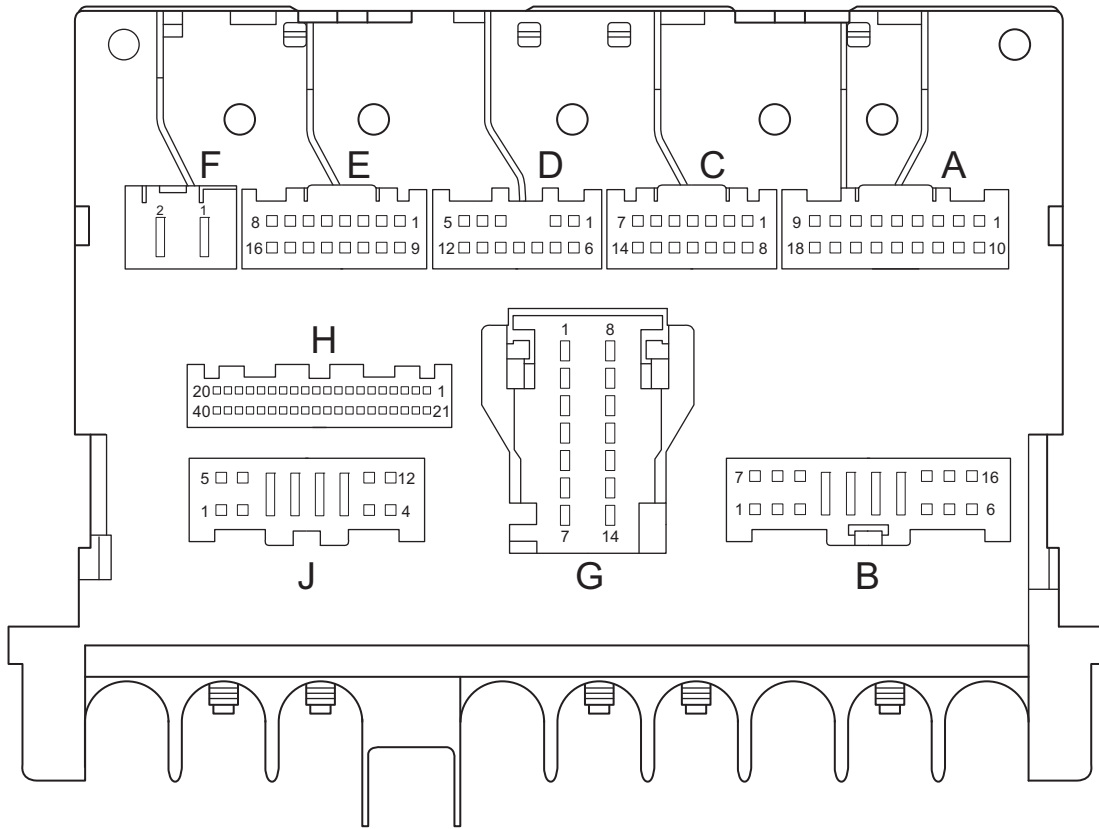


06

ET15060051



Back View

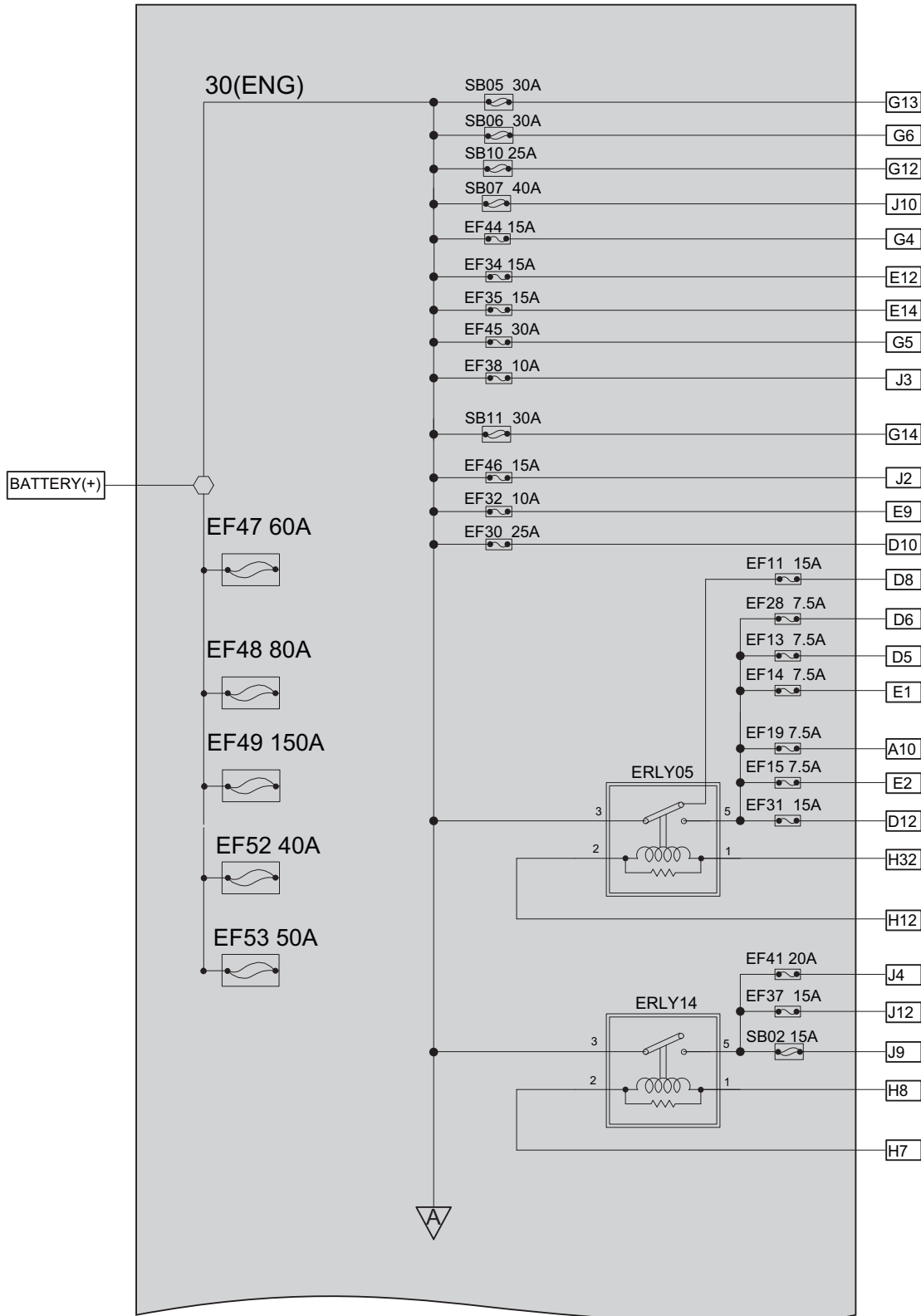


06

ET15060061

Engine Compartment Fuse and Relay Box Inner Circuit

Circuit Diagram (Page 1 of 4)

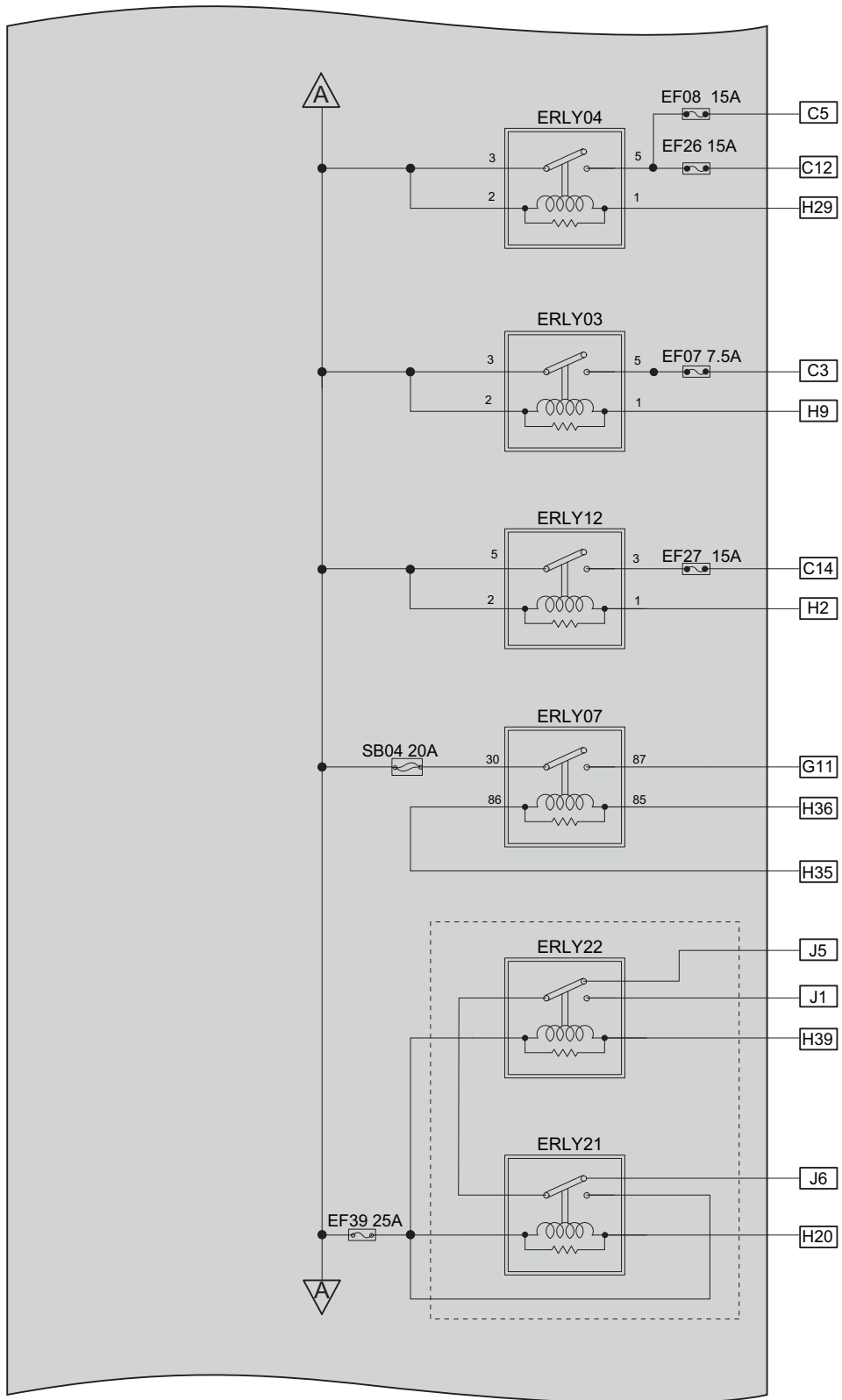


06

ET15060071



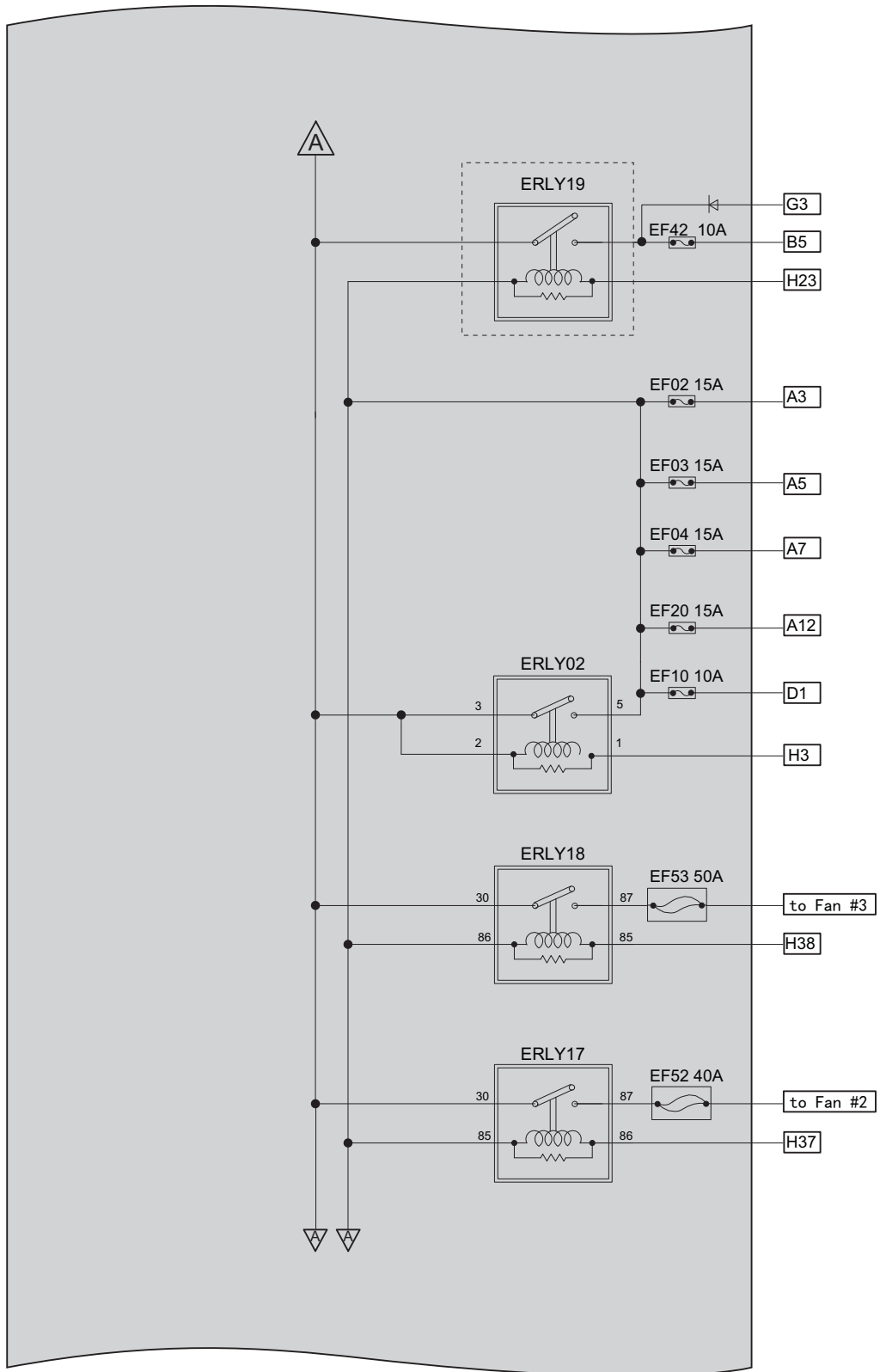
Circuit Diagram (Page 2 of 4)



06

ET15060080

Circuit Diagram (Page 3 of 4)

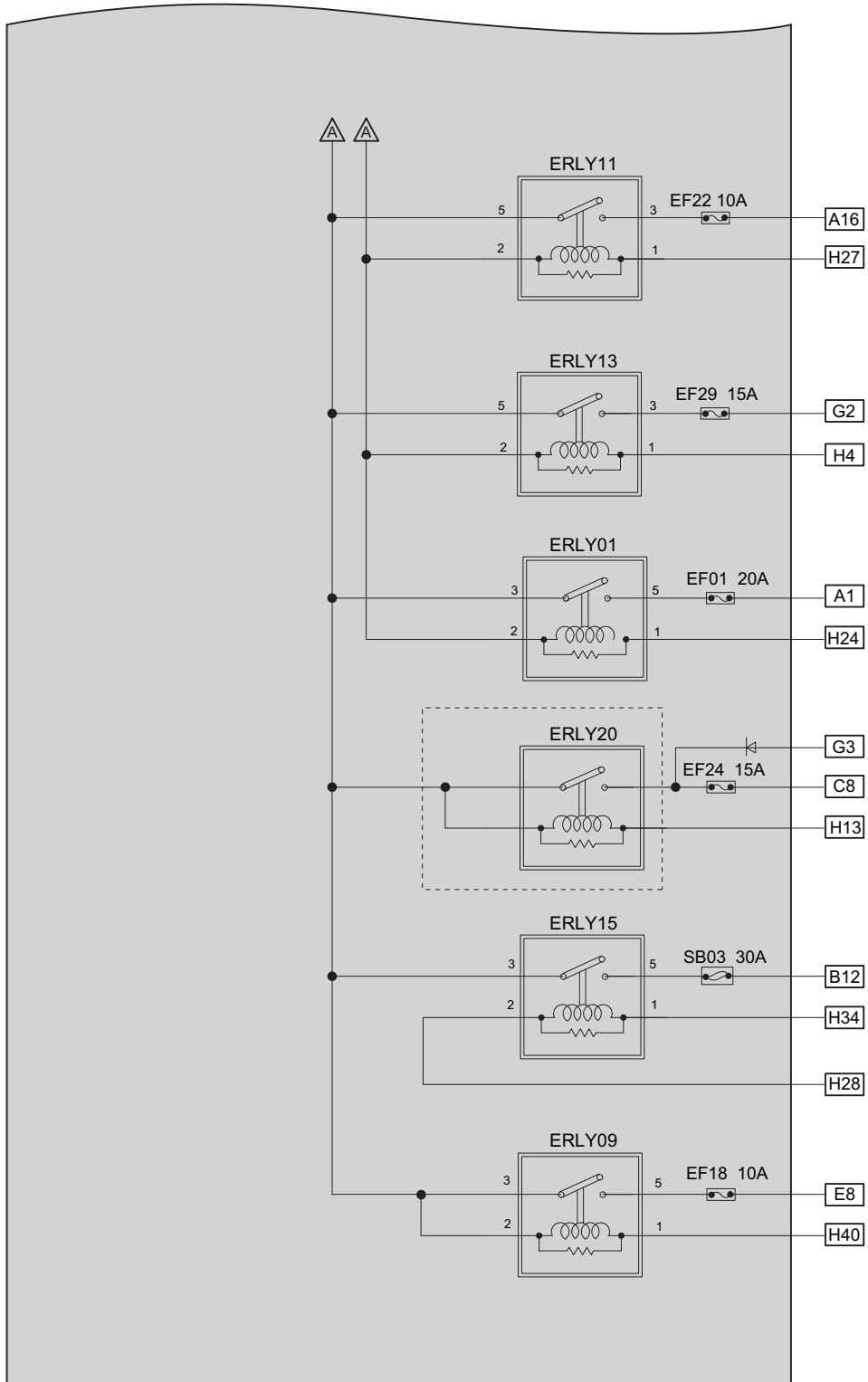


06

ET15060090



Circuit Diagram (Page 4 of 4)

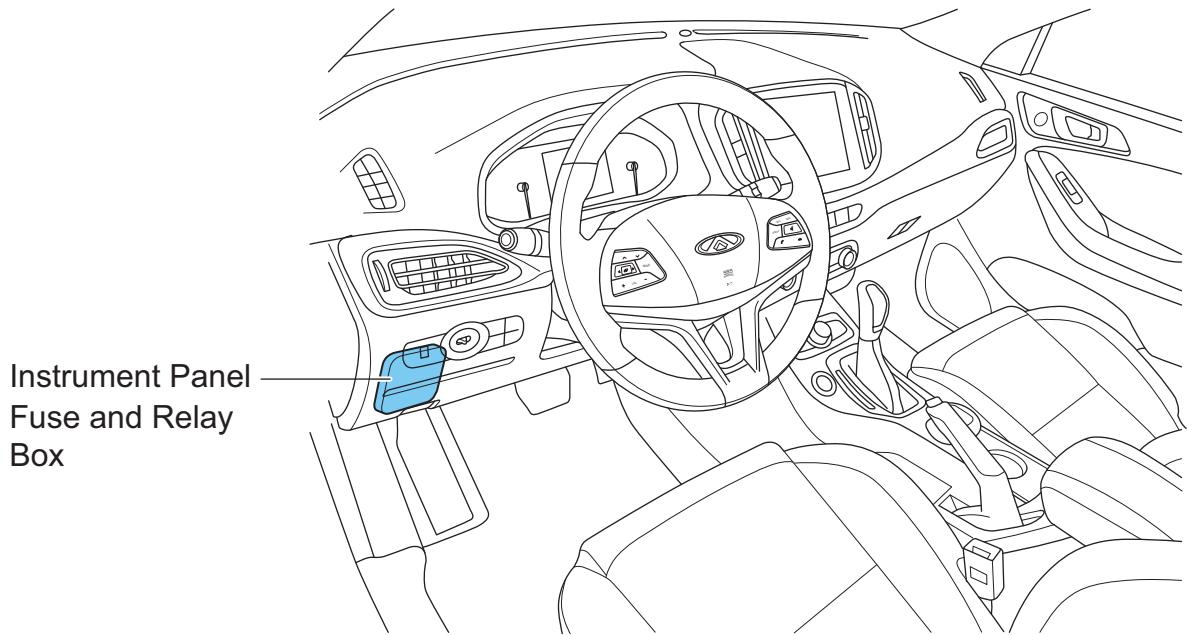


06

ET15060100

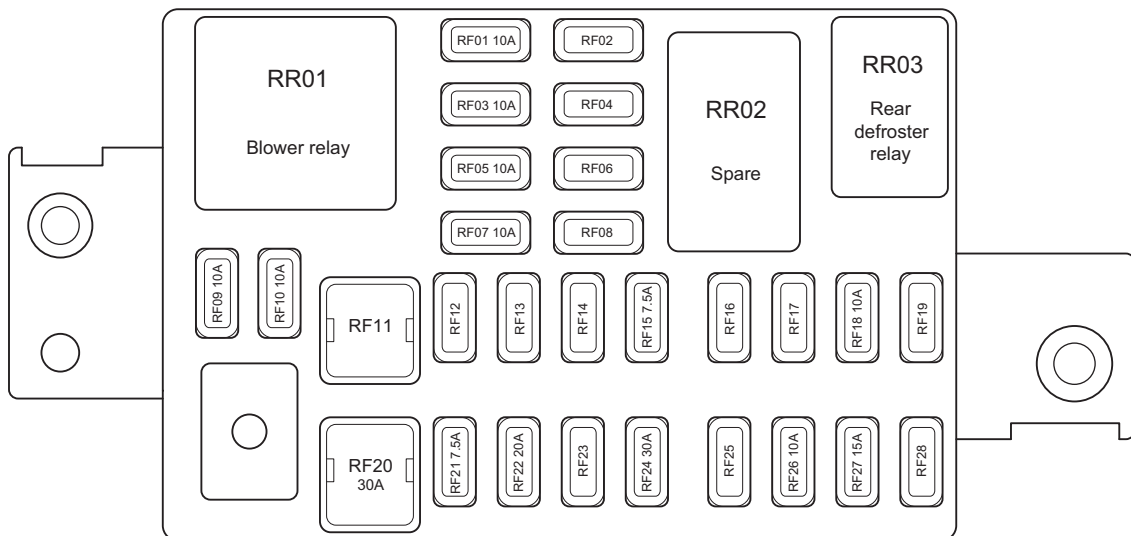
Instrument Panel Fuse and Relay Box

Location of Instrument Panel Fuse and Relay Box



ET15060110

Fuse and Relay Layout in Instrument Panel Fuse and Relay Box



ET15060120

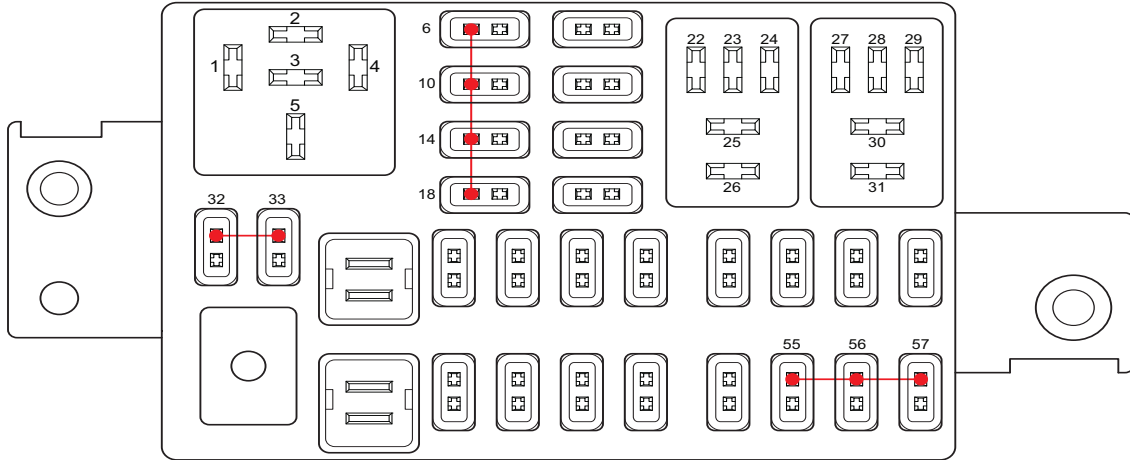


Instrument Panel Fuse Description

No.	Description	No.	Description
RF01	BCM 2-17#	RF15	Around View Monitor 20#
RF02	-	RF16	-
RF03	Steering Wheel Rotation Angle Sensor 3#, EPS 1#	RF17	-
RF04	Main Blind Spot Monitor Radar 5#, Auxiliary Blind Spot Monitor Radar 5#	RF18	A/C Panel 14#, Left/Right Outside Rear View Mirror 5#, A/C Wire Harness Interface 14#
RF05	Airbag Module 5#	RF19	-
RF06	-	RF20	Power Supply of Blower Relay Output Terminal
RF07	A/C Wire Harness Interface 13#, Audio Head Unit C2#, Automatic A/C Panel 6#, Headlight Adjustment Switch 6#, DCT Shift Mechanism 6#	RF21	-
RF08	-	RF22	-
RF09	A/C Wire Harness Interface 11#, Audio Head Unit C2#, Audio Head Unit B15#, Automatic A/C Panel 4#	RF23	-
RF10	Instrument Cluster 11#, Rain Sensor 1#	RF24	Power Supply of Rear DEF Relay Output Terminal
RF11	-	RF25	-
RF12	-	RF26	Mirror Adjustment Switch 7#, BCM2-5#, Sunroof 2#
RF13	-	RF27	Cigarette Lighter 1#
RF14	-	RF28	-

View of Instrument Panel Fuse and Relay Box

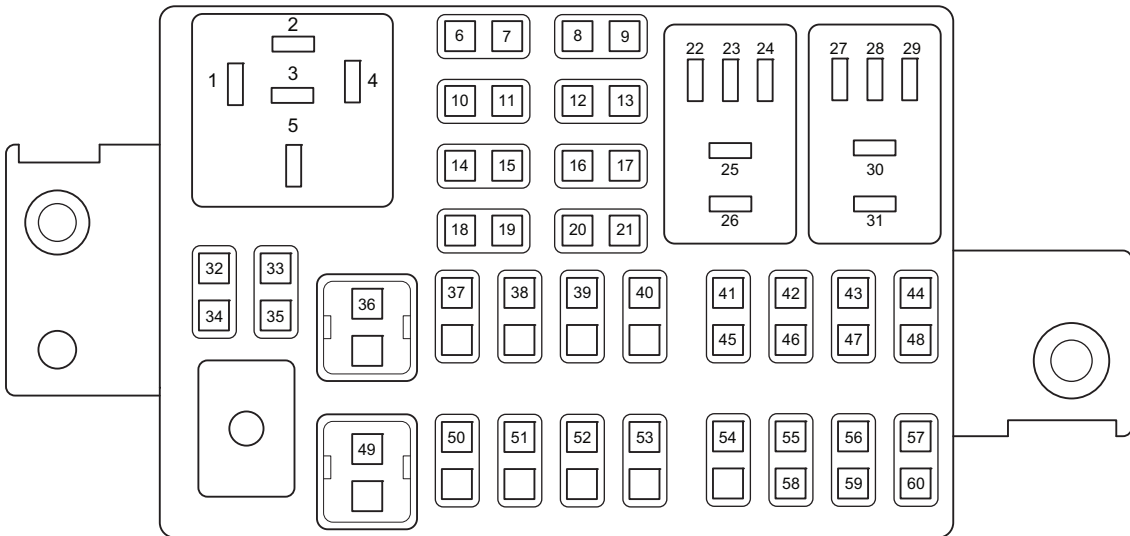
Front View



ET15060130

06

Back View

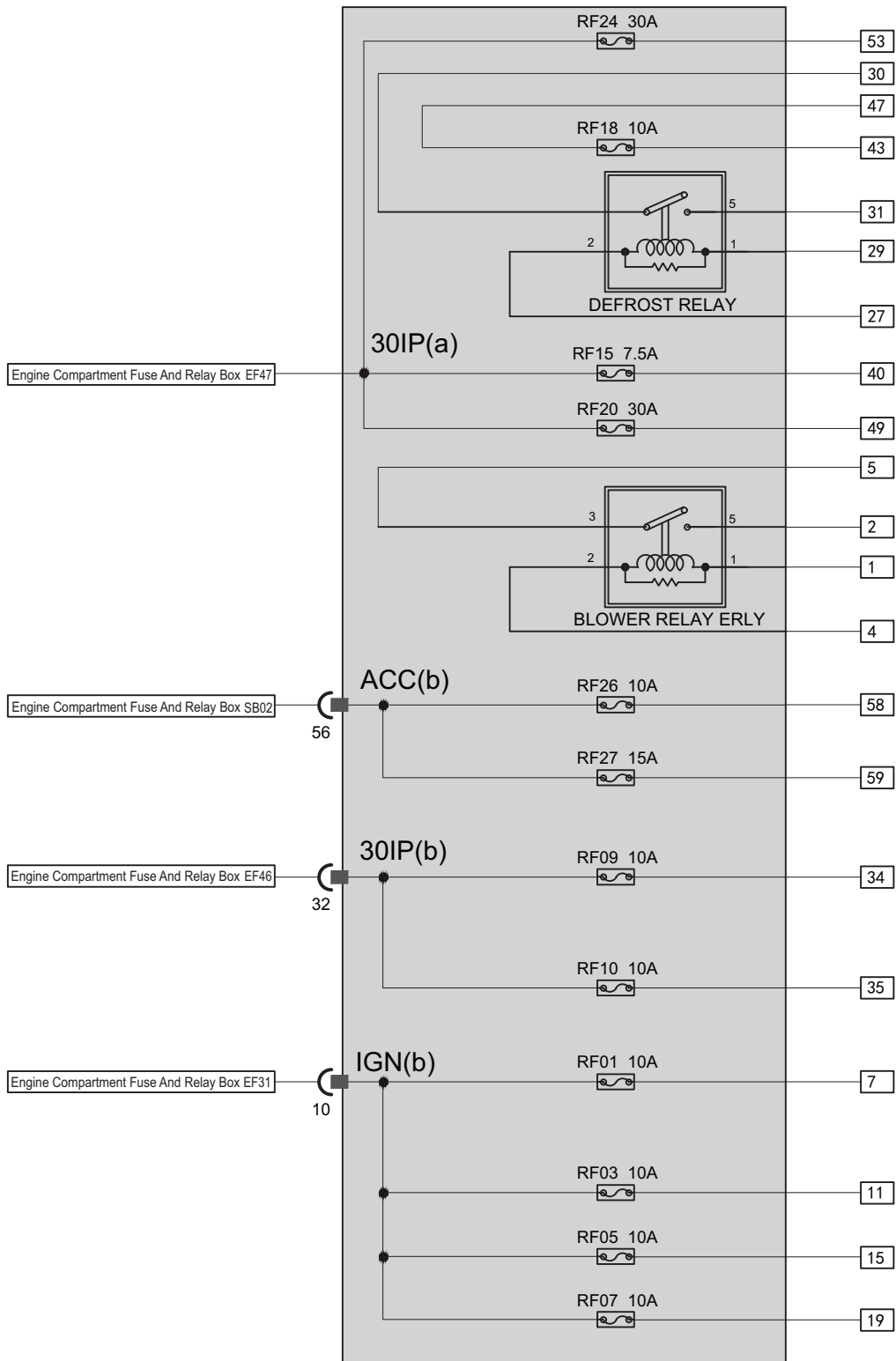


ET15060131



Instrument Panel Fuse and Relay Box A Inner Circuit

Circuit Diagram (Page 1 of 1)



ET15060150

06